

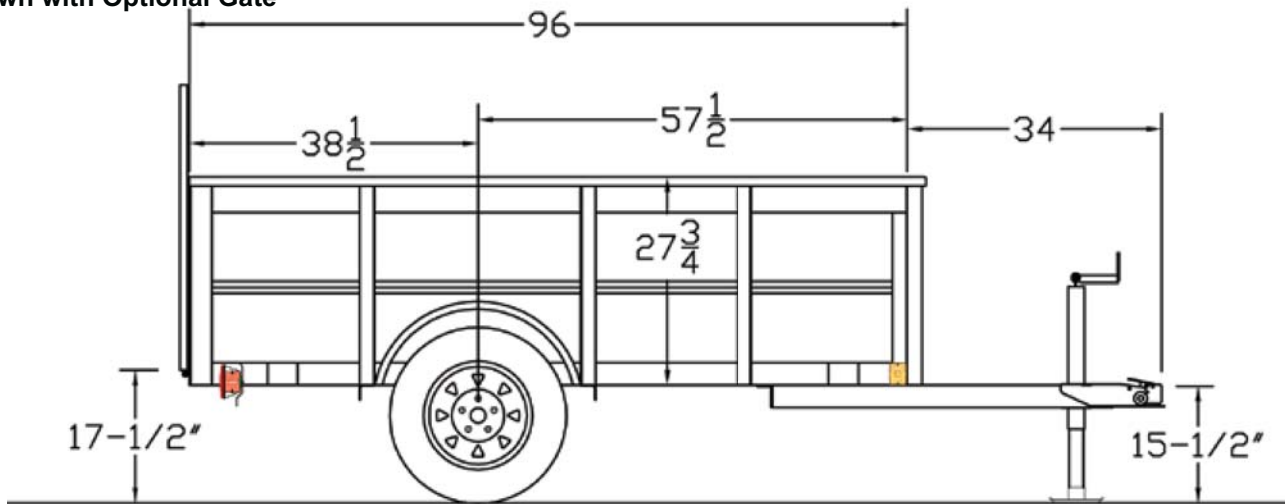
# 19SV Vanguard

<b>G.V.W.R.</b> 1,995#	<b>AXLE</b> 2,000# EZ Lube
<b>G.A.W.R.</b> 1,995#	<b>SUSPENSION</b> Multi-Leaf Spring
<b>COUPLER</b> 2" A-Frame	<b>TIRE</b> ST175/80-13" Load Range C
<b>SAFETY CHAINS</b> 1/4" Grd. 30 w/Safety Latch Hook (2 each)	<b>WHEEL</b> 13 x 4.5 White Spoke 5 Bolt
<b>JACK</b> 2,000# Top Wind (Bolted On)	<b>FLOOR</b> 2" Pine
<b>TONGUE</b> 3" Channel	<b>LIGHTS</b> D.O.T. Stop, Tail, Turn & Clearance
<b>TOP RAIL</b> 1-1/4" x 1-3/4" Pre-Formed Tube	<b>ELEC. PLUG</b> 4-Way Flat w/Loom
<b>FRAME</b> 3" x 2" x 3/16" Angle	<b>FINISH (Prep)</b> Steel is Cleaned and Etched to Ensure Smooth, High Bond Paint Adhesion.
<b>CROSSMEMBERS</b> 2" x 2" x 1/8" Angle	<b>FINISH</b> Painted with High-Solids Supreme Automotive Grade Enamel and Pin-Striped for a Highly Decorative and Protective Finish.
<b>UPRIGHTS</b> 2" x 2" x 1/8" Angle	
<b>FENDERS</b> 8" x 28" Rolled Formed	

## Standard Features

- Safety Chains Attached w/Cold Rolled Eyelets
- Lower Jack Support Plate
- 4 Tie Down Loops Inside Bed
- Sand Foot on Jack
- 27-3/4" Sides w/ 24" V-Crimped Steel Panels
- EZ Lube Axle

### Shown with Optional Gate



MODEL#	WEIGHT	DESCRIPTION
19SV-08	690#	50" x 8' Single Axle Vanguard

### OPTIONS

3' Rampgate w/Expanded Metal
------------------------------